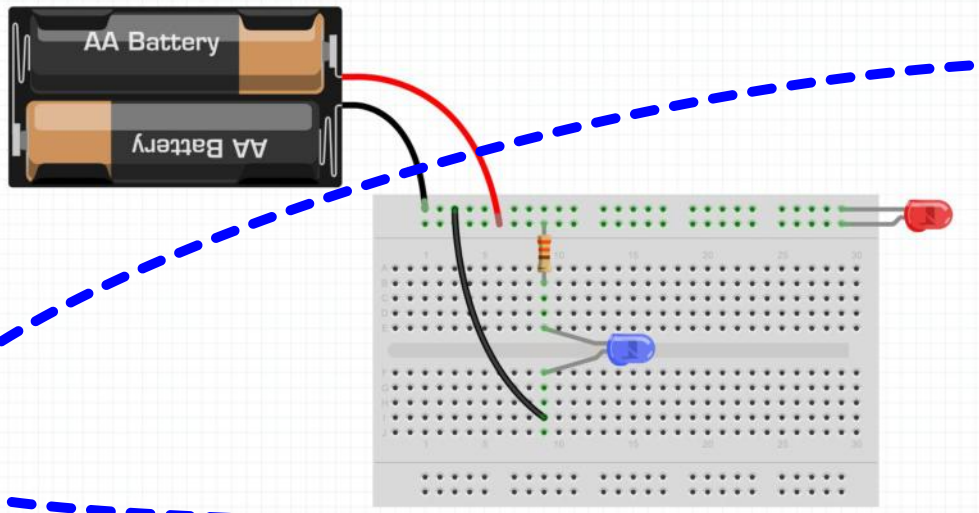


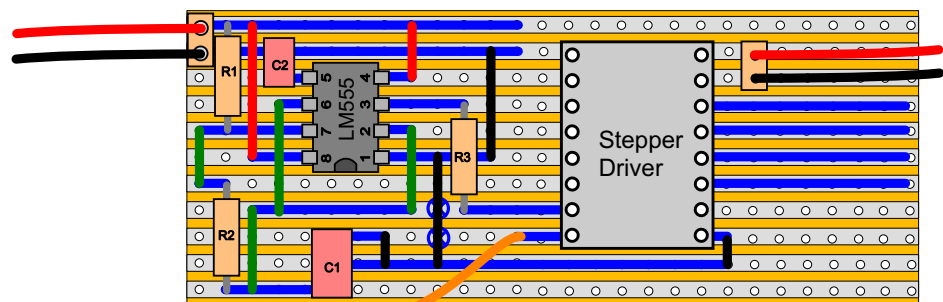
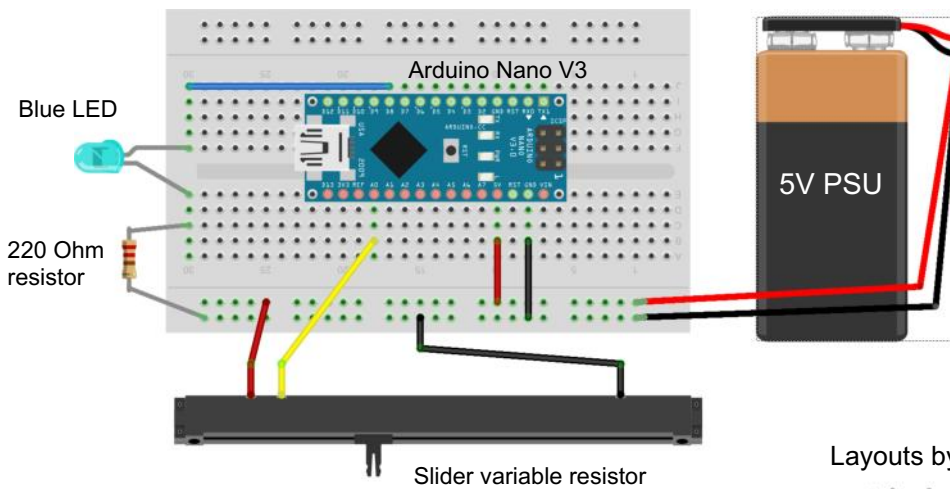
The T-Exchange - Friday 18th November



From the very first steps in using LEDs and test meters

via other stuff about Fritzing and Arduino micro-controllers to:

to flashing blue lights with speed control



or even soldering your own circuit boards