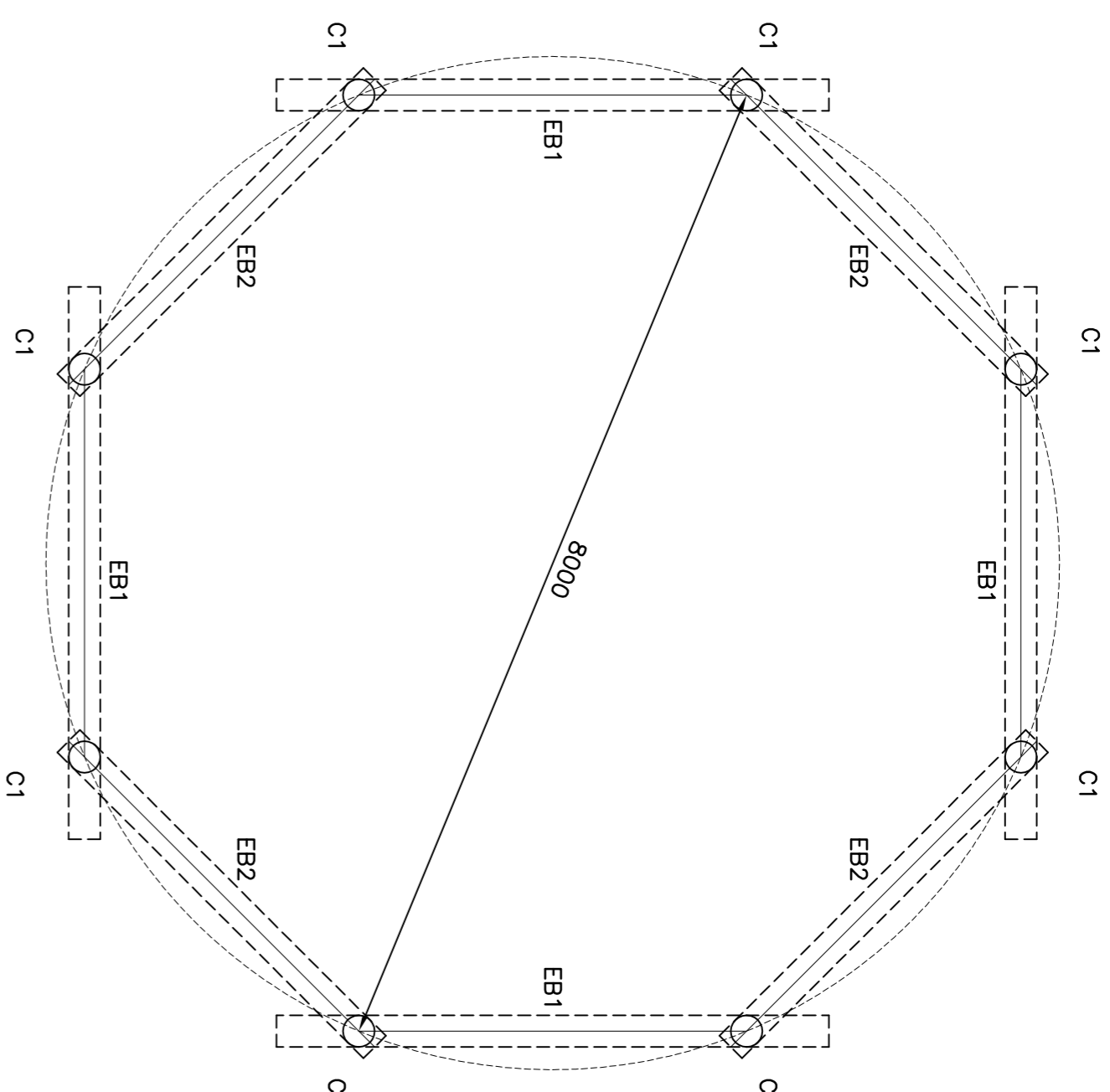
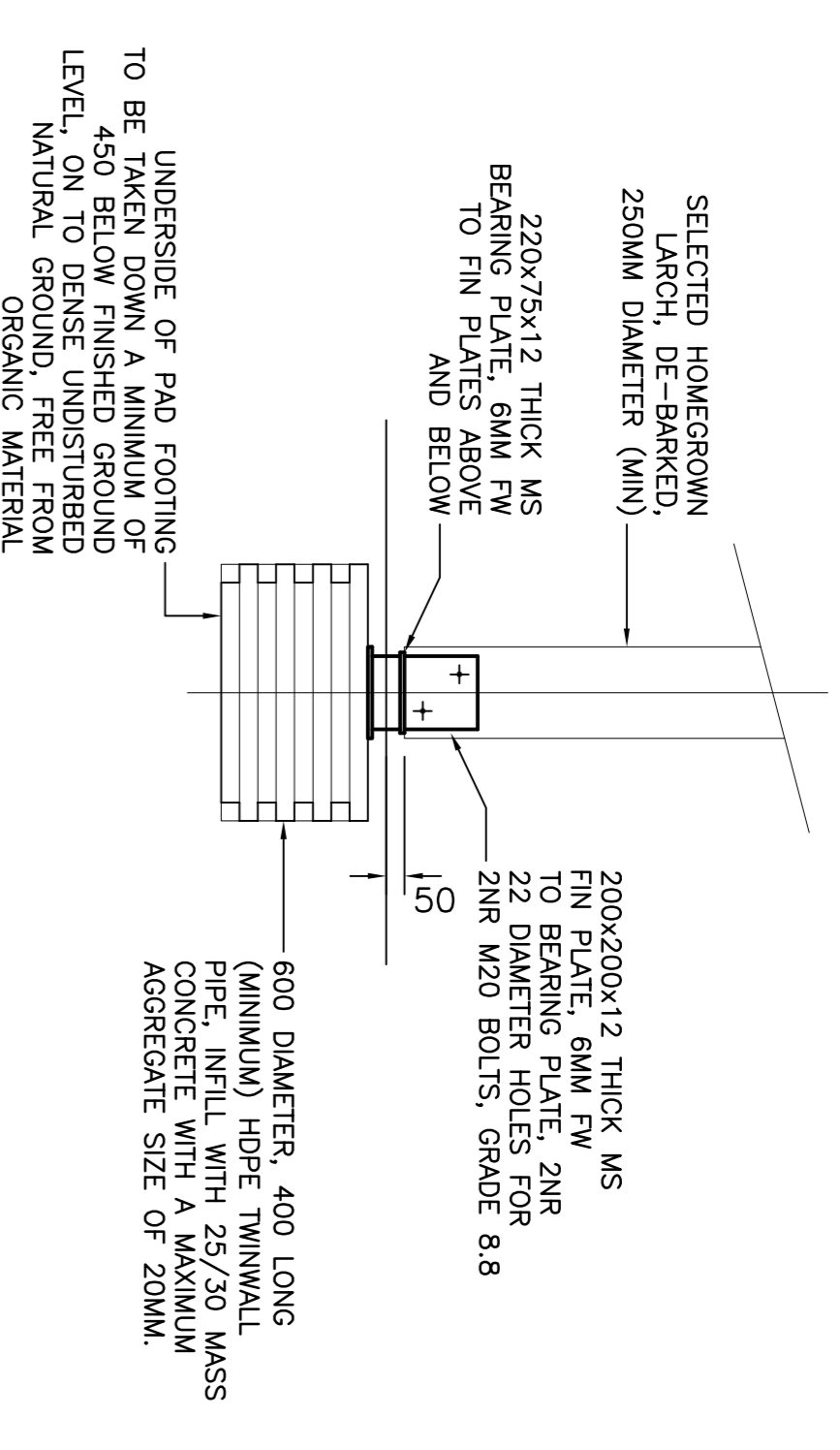


FOUNDATION AND SETTING OUT PLAN
(Scale 1:50)

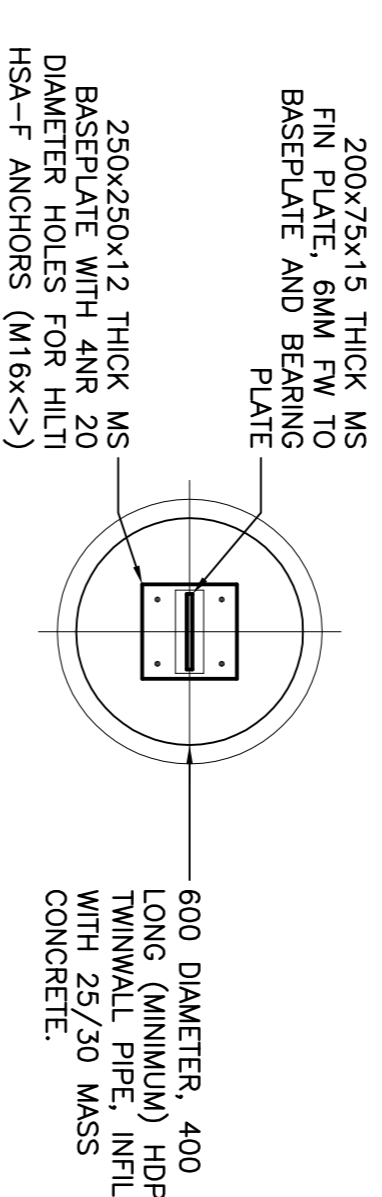


EAVES BEAM PLAN
(Scale 1:50)

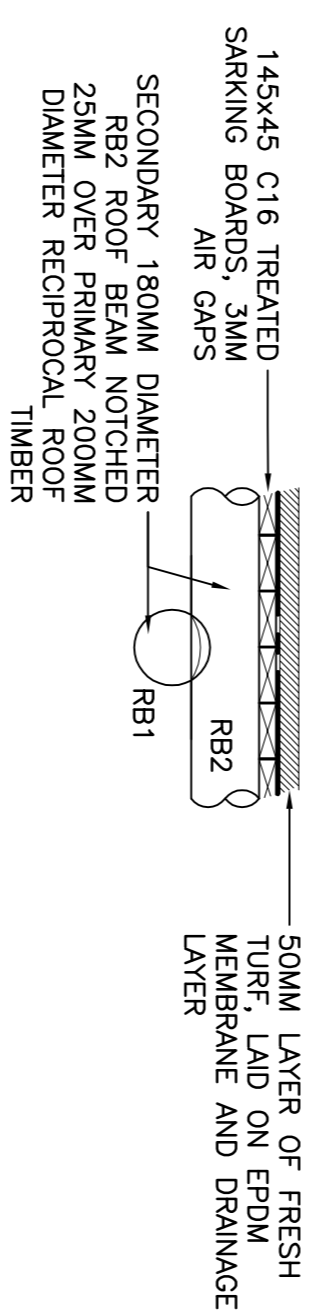


FOUNDATION DETAIL - SECTION
(Scale 1:20)

ALL METALWORK, INCLUDING BOLTS, WASHERS, BRACKETS ETC TO BE GALVANISED

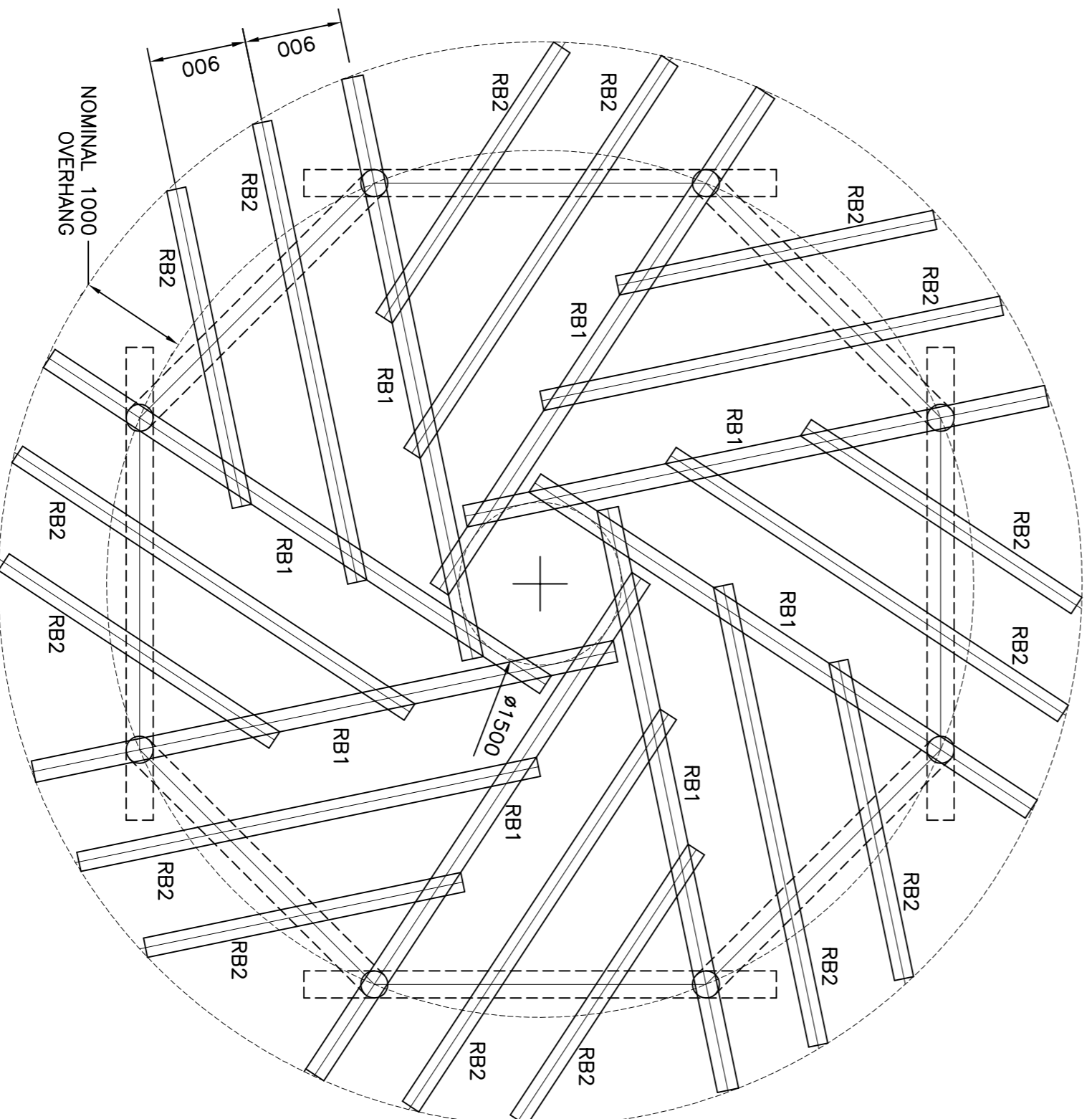


FOUNDATION DETAIL - PLAN
(Scale 1:20)



ROOF CONSTRUCTION DETAIL
(Scale 1:20)

TIMBER SCHEDULE			
REF	DESCRIPTION	DIAMETER (MIN)	QUANTITY
C1	LARCH COLUMN	250MM	8
B1	LARCH HAUNCH	200MM	8
EB1	LARCH PRIMARY EAVES BEAM	250MM	4
EB2	LARCH SECONDARY EAVES BEAM	250MM	4
RB1	LARCH RECIPROCAL ROOF TIMBER	200MM	8
RB2	LARCH RAFTER	180MM	16



ROOF PLAN
(Scale 1:50)

FOUNDATIONS

1. 8NR PAD FOOTINGS TO BE CONSTRUCTED AS DETAILLED AND AS PER THE SETTING OUT PLAN.
2. FORMATION LEVEL OF FOOTINGS TO BE A MINIMUM OF 450MM BELOW FINISHED GROUND LEVEL, AND ON NATURAL UNDISTURBED GROUND. EXCAVATION TO BE CLEAR OF ALL LOOSE, ORGANIC OR DELETERIOUS MATERIAL.
3. CONCRETE INFILL TO FOOTINGS TO HAVE ACHIEVED 48 HOUR STRENGTH PRIOR TO DRILLING FOR HOLDING DOWN BOLTS, AND 7 DAY STRENGTH PRIOR TO ERECTING TIMBER COLUMNS.
4. CONCRETING WORKS TO BE CARRIED OUT AT A MINIMUM OF 2°C AMBIENT TEMPERATURE. FRESH CONCRETE TO BE PROTECTED WITH HESSIAN, STRAW OR TURF.

TIMBER

1. ALL TIMBER TO BE SELECTED LOCALLY GROWN LARCH, DE-BARKED AND INSPECTED FOR DEFECTS.
2. TIMBER DIAMETERS INDICATED ON THE SCHEDULE ARE TO BE TAKEN AS MINIMUM TIP DIAMETER.
3. EB1, C1 AND B1 TO BE CONNECTED TOGETHER USING MORTICE AND TENON JOINTS, PINNED WITH ZNR 20 TO 25MM OAK PEGS.
4. RB1 AND EB2 TO BE CONNECTED TO EB1 WITH BUTTERPAT JOINTS.
5. RB2 AND RB1 TO BE NOTCHED 25MM OVER RB1 AND PINNED WITH ZNR 300MM LONG TR. SCREWS.

TEMPORARY WORKS

1. UNTIL THE OCTAGONAL EAVES BEAM (COMPRISING EB1 AND EB2) IS COMPLETE, THE VARIOUS COLUMNS AND COLUMN ASSEMBLIES WILL NEED TEMPORARY STABILITY SUPPORT (EITHER GUY'S OR RAKING DRIVEN TIMBER POSTS).
2. UNTIL THE 8 PRIMARY RECIPROCAL ROOF TIMBERS (RB1) ARE ALL INSTALLED AND CONNECTED TOGETHER, THE ROOF REQUIRES TO BE SUPPORTED VERTICALLY AT THE CENTRAL POINT.

REVISIONS	
No.	Description

Client: **EVANTON WOOD COMMUNITY COMPANY**

Job: **MAGGS WOOD - EVANTON PROPOSED LOG SHELTER**

Title: **STRUCTURAL PLANS AND SECTIONS**

KWA Consulting Engineers
Ward College, Roggan Bank,
Burnt Piece, Dingwall
IV15 9ND
Tel: (01549) 862363 Email: info@kwakel.net

KWA Consulting Engineers
Ward College, Roggan Bank,
Burnt Piece, Dingwall
IV15 9ND
Tel: (01549) 862363 Email: info@kwakel.net

Drawn: DAM/C Scale: 1:50 & 20
Date: 25.07.18
Drawing No: **KWA/18063/001**